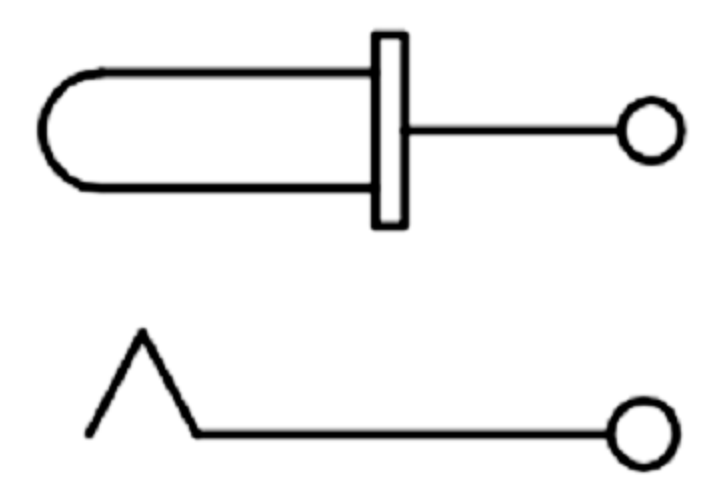
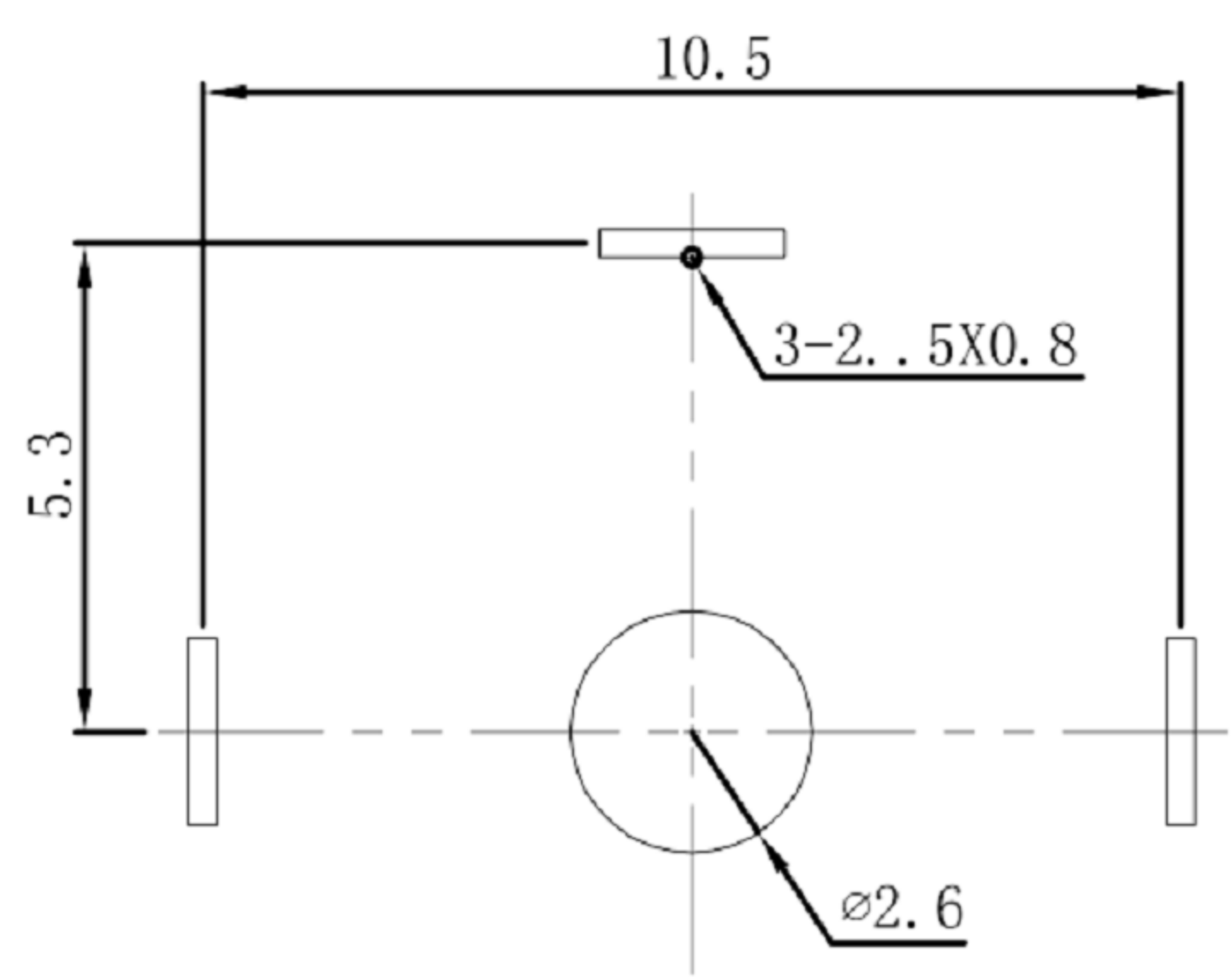


**SCHEMATIC**



**SPECIFICATION**

- 1. Rating : DC 3A 5A 12V 24V
- 2. Contact resistance :  $\leq 30m\Omega$  ;
- 3. Insulation resistance :  $\geq 100M\Omega$  ;
- 4. Withstand voltage : 500VAC ;
- 5. Insertion force : 3-30N;  
extraction force : 3-30N;
- 6. life test : 5,000 cycles °



**P.C.B LAYOUT  
TOP VIEW**

PIN	φ 1.7	φ 2.1	φ 2.35	φ 2.5
APPD				



TOLERANCE UNLESS OTHERWISE STATED :  
 Up to 5 ±0.2  
 Above 5 ~ 15 ±0.3  
 Above 15 ~ 30 ±0.4  
 Above 30 ~ 50 ±0.5  
 Angle ±0.3°

3RD. ANGEL'S

UNITS MM

DRAWN BY: Ming Ming Zou	DATE 6/8/23	MAT'L	TITLE JACK
CHECKED BY: Ning Ning Su	DATE 6/8/23	FINISH	MODLE DC JACK
APPROVED BY: Jia Xiang	DATE 6/8/23	SCALE 1 : 1	DWG NO. GD-DCT-8014
SHEET NO. 1 of 1		PART NO.	SIZE A4 VER R4

ITEM NO.	DESCRIPTION	DRAWN	DATE
4	更新材質	Jack	050420
3	更新尺寸	Jack	121119
2	更新尺寸標示位置	Jack	082719
1	更新尺寸	Jack	080519